

Product selected: Britelux HSI-TSX 400W

Highly efficient metal halide lamps, which can be used to upgrade from high pressure sodium lighting to a more pleasant and productive white light simply by changing the lamp.

Applications

- Industrial halls
- Shopping areas
- Warehouses

Features

- Compatible with high-pressure sodium control gear
- High lumen output
- Good colour rendering - Class 2B
- Clear and coated versions
- Average rated life: up to 15000 hours
- "P" protected versions available - no safety front glass required

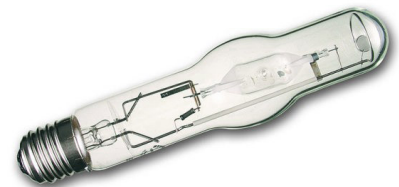
Directions for use

- Burning position: universal
- Starting pulse: minimum 2.8kV and maximum 5 kV

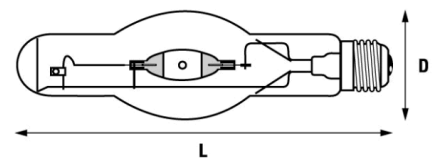
Product Attributes

Item description	Britelux HSI-TSX 400W
Ordering Code	0024409
EAN code	5410288244099
Packing Quantity	12
Wattage (W)	425
Voltage (V)	105
Cap	E40
Max. Over. Length (mm)	270
Diameter (mm)	63
Light output (lm)	40000
Current (A)	4.4
Bulb finish	clear
Colour Temp (K)	4200

Product Image

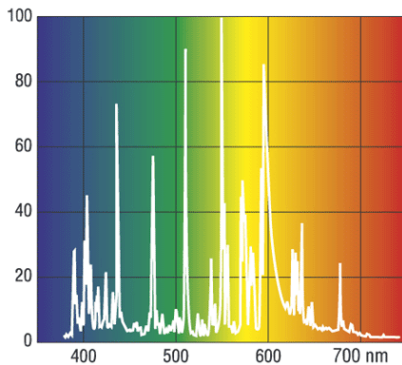


Line Drawing



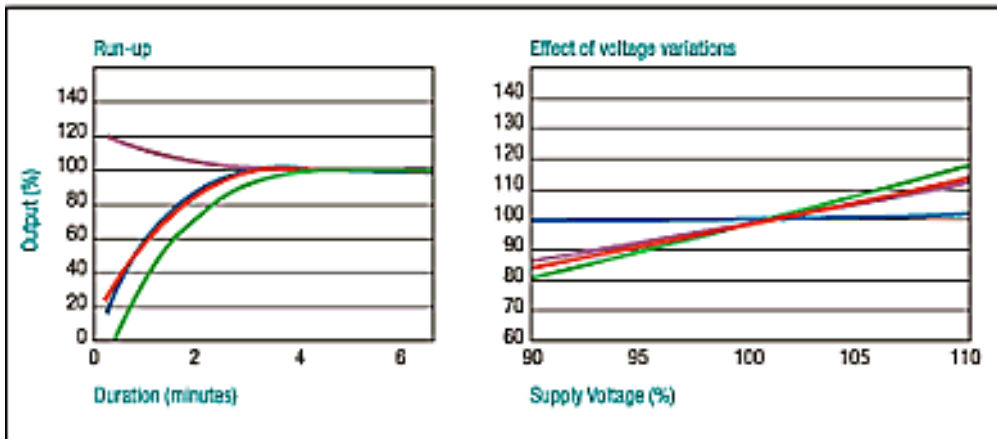
Burning Position

Spectral Diagram



Run-up Characteristics

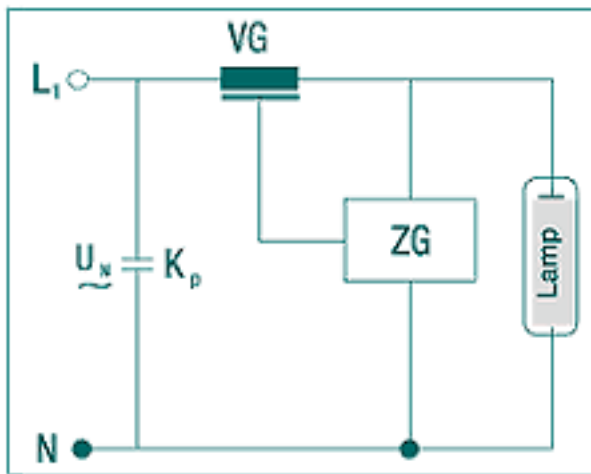
Quartz Metal Halide



Re-start time when hot
 TD versions: immediate with appropriate start up system
 Other versions: up to 10 minutes

■ Lamp Voltage
 ■ Lamp Current
 ■ Lamp Power
 ■ Luminous Flux

Circuit Diagram



L Live conductor L_1, L_2, L_3
 N Neutral conductor
 U_w power supply voltage 230V~
 (400V~ for HSI-T 2000V)
 VG ballast
 K_p lead capacitor
 ZG start-up system
 K_z start-up capacitor
 ST stray field transformer
 CWA constant wattage autotransformer